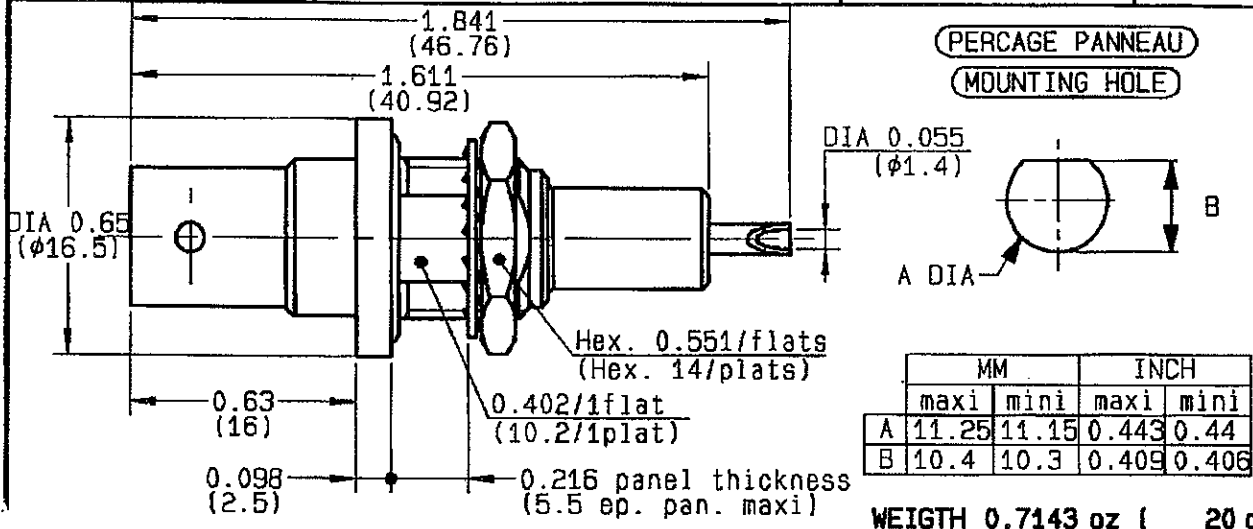


BULKHEAD RECEPTACLE WATERPROOF



CHARACTERISTICS

NOMINAL IMPEDANCE	50 Ω
FREQUENCY RANGE	0-2 GHz
TEMPERATURE RATING	-65/+165 °C
VSWR	1.2 + .3 x F(GHz)Maxi
RF INSERTION LOSS	AD√F(GHz) dB Maxi
VOLTAGE RATING	6500 Vrms Max
DIELECTRIC WITHSTANDING VOLTAGE	10000 Vrms min
INSULATION RESISTANCE	5000 MΩmin
HERMETIC SEAL	- cc/s NA Atm.cm3/s
LEAKAGE (pressurized only)	- psi AD MPa
RF LEAKAGE	-55 dB at 2 GHz

STANDARDISATION

CABLE RETENTION	-	lb min
	NA	N
CENTER CONTACT RETENTION		
Axial force - mating end	5.95	lb min
	27	N
Axial force - opposite end	5.95	lb min
	27	N
Torque (Min)	-	Inch.oz
	NA	cm.N
RECOMMENDED TORQUES		
Mating	-	Inch.lb
	NA	cm.N
Panel nut	27.75	Inch.lb
	320	cm.N
Clamp nut	-	Inch.lb
	NA	cm.N

CONSTRUCTION

CONNECTOR PARTS	MATERIALS	FINISH
BODY	BRASS	NICKEL
OUTER CONTACT	BRASS	NICKEL
CENTER CONTACT	BRASS	GOLD
INSULATOR	PTFE	-
-	-	-
-	-	-
-	-	-
-	-	-
-	-	-

TABLE	REVISION No	DESCRIPTION	BY	DATE

Initiated on 20/01/93
Superseded on - - - -

The information given here is subject to change without notice. Design changes may be in order to improve the product.

